



User Guide

Models HL1 & HL2

Telephone Handset Lifter Accessory

0568801 ©10•2003 Plantronics Inc.

Printed in the U.S.A.

www.plantronics.com
800.544.4660
345 Encinal Street
Santa Cruz, California 95060

Copyright 2003 Plantronics, Inc. All rights reserved.

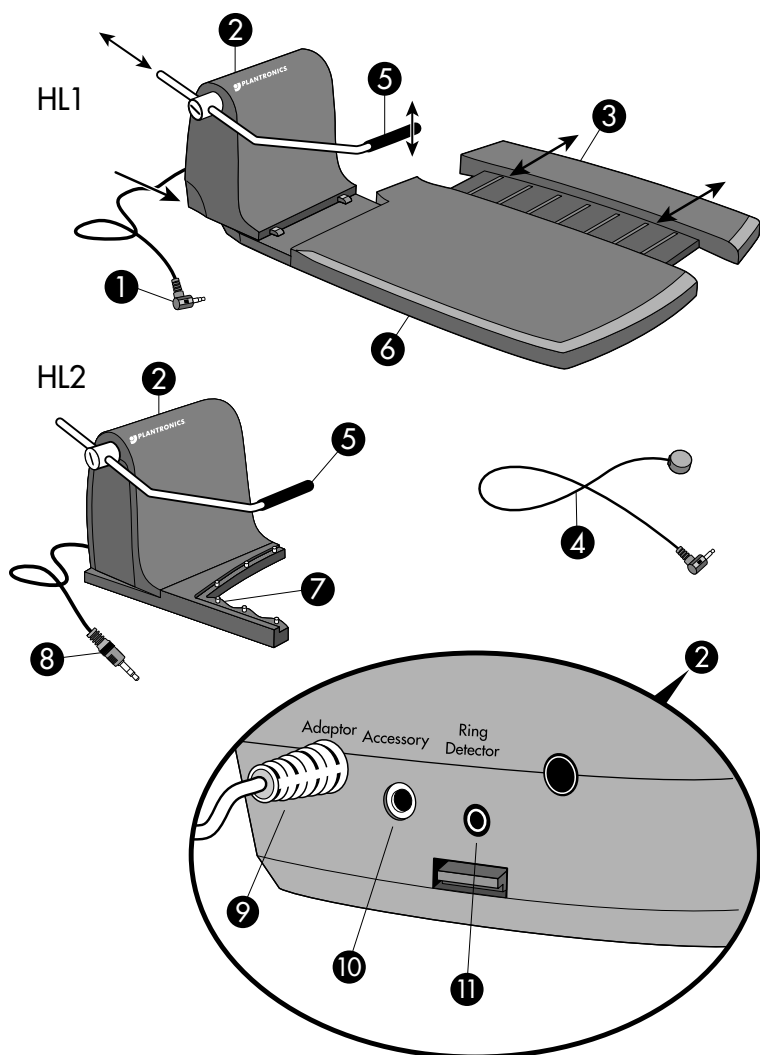
- This warranty covers defects in materials and workmanship of Commercial Products manufactured, sold or certified by Plantronics which were purchased and used in the United States and Canada. This warranty lasts for two years from the date of purchase of the Products.
- This warranty extends to you only if you are the end user with the original purchase receipt.
- We will, at our option, repair or replace the Products that do not conform to the warranty. We may use functionally equivalent/reconditioned/refurbished/remanufactured/pre-owned or new Products or parts.
- To obtain service in the U.S. contact Plantronics at (800) 544-4660 and in Canada call (800) 540-8363. If you need additional information, please contact our service centers at the numbers provided.
- THIS IS PLANTRONICS' COMPLETE WARRANTY FOR THE PRODUCTS. This warranty gives you specific legal rights, and you may also have other rights which vary from state to state or province to province. Please contact your dealer or our service center for the full details of our limited warranty, including items not covered by this limited warranty.

for Plantronics Commercial Products Purchased in the US and Canada

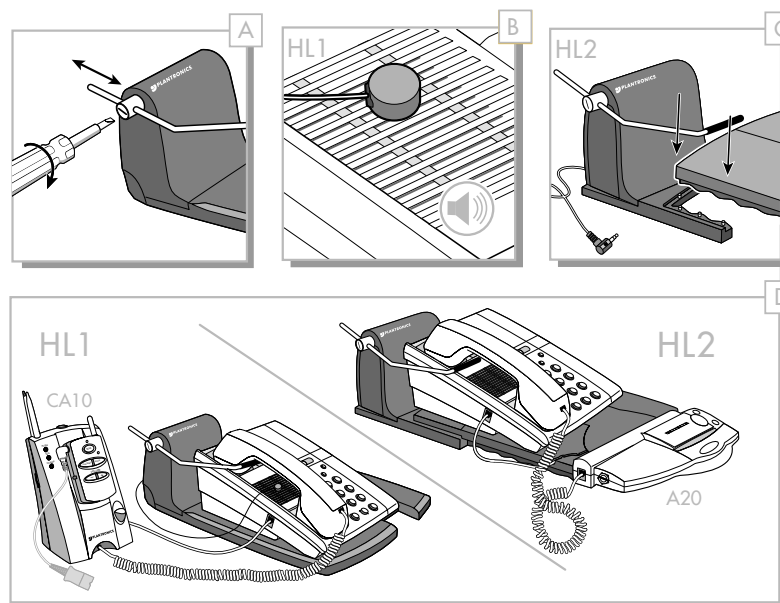
LIMITED WARRANTY

WARRANTY AND SERVICE

HL2 DIAGRAM



HL2 TELEPHONE HANDSET LIFTER ACCESSORY



- | | |
|--|--|
| 1 HL1 Adapter Power Plug | 7 HL2 Adapter Housing |
| 2 Lifter Motor Assembly | 8 HL2 Adapter Power Plug |
| 3 HL1 Expandable Base | 9 Adapter Power Line |
| 4 HL1 Ringer Detector and cable P/N 46780-01 | 10 Accessory Jack |
| 5 Lifter Arm P/N 46778-01 | 11 Ringer Detector Jack (only with the HL1 Lifter) |
| 6 HL1 Lifter Base | |

HL2 TELEPHONE HANDSET LIFTER ACCESSORY

HARDWARE SETUP

FOR THE A20 TELEPHONE HEADSET AMPLIFIER

Snap the Lifter Motor Assembly **2** with the A20 Adapter Housing **7** to the A20 accessory deck. C

Connect the Adapter Power Plug **8** to the aux jack of the A20 amplifier. The aux jack on the A20 amplifier is normally used for the on line Indicator (OLI). If you plan to use the OLI, connect the OLI plug to the Accessory Jack **10** on the back side of the Lifter Motor Assembly **2**.

Route the associated wiring for the A20 amplifier through the accessory deck as illustrated in the A20 User Guide.

Replace the A20 accessory deck lid and place your telephone on the accessory deck. D

Move and/or slide the Lifter Arm to a position near the top of the earpiece of the telephone handset. Tighten the adjusting screw firmly with a screw driver or small coin to prevent it from coming loose. A

To test the Lifter, depress the handset/headset selector bar on the A20 amplifier and the Lifter Arm **5** will automatically pick up your handset. Push it again to have the unit return the telephone to its original position. D

You may need to manually readjust the lifter arm to the position shown in D.

Repeat this process until the Lifter can pick up and put down the telephone handset without error.

No other connections are required. The Lifter will be powered directly by the A20 amplifier.

You are now ready to make or receive calls.

LIFTER OPERATION

The handset/headset bar on the A20 amplifier will activate the lifter to make or receive a call.

