

# Stationary Unit Antennas

# Listen®

www.ListenTech.com

## Universal Antenna Kit

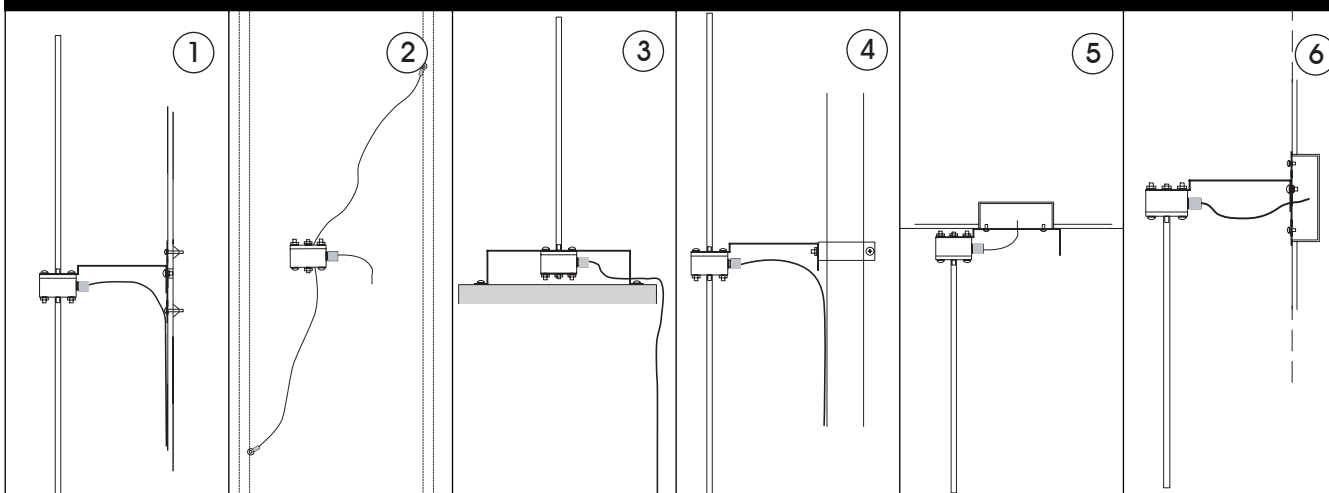
### Part Number: LA-122

- Includes both 72 MHz and 216 MHz antennas
- Monopole and dipole antenna options included
- Rigid and flexible radials are included
- All hardware to mount on a wall, on electrical boxes, on a horizontal surface (flat and inverse), inside a wall or ceiling is included



| Specification               | 72 MHz  | 216 MHz             |
|-----------------------------|---|---------------------|
| Frequencies                 | 72.0 to 76.0 MHz  | 216.0 to 217.0 MHz  |
| Center Frequencies          | 73.50 MHz   | 216.50 MHz          |
| Antenna Types               | Monopole and Dipole   |                     |
| Antenna Radials             | Rigid and flexible  |                     |
| Antenna Gain                | Unity   |                     |
| Dipole Vertical Clearance   | 79.75 in. (2.03 m)  | 25.75 in. (65.4 cm) |
| Connector                   | RG-58 BNC   |                     |
| Coax Provided               | 25 ft. (7.6 m) RG-58 with BNC connectors  |                     |
| Mounting Options            | Wall mount, dual and single electrical box, ceiling electrical box, horizontal surface mount (such as on top of a rack), ceiling/inverse mounting, flexible mounting in-wall or in ceiling and mast or conduit mount. |                     |
| Mounting Hardware           | Includes self-tapping sheet metal screws, drywall anchors, and all hardware required to mount to electrical boxes. Does not provide hardware required to mount to a mast (available at most hardware stores).         |                     |
| Mounting Bracket Dimensions | 4.5 x 7.0 x 2.5 in. (11 x 18 x 6.4 cm), W x D x H   |                     |
| Mounting Plate Dimensions   | 4.48 x 4.55 in. (11.4 x 11.6 cm)  |                     |
| Antenna Segment Lengths     | 39.25 in. (1.0 m)   | 12.25 in. (31.1 cm) |
| Weight                      | 4.4 lbs. (2kg)  |                     |
| Shipping Weight             | 4.4 lbs. (2 kg)   |                     |
| Shipping Box Dimensions     | 16.3 x 2.76 x 17.1 in. (41.4 x 7.0 x 43.4 cm)   |                     |

## Mounting Possibilities



1. Wall mount dipole\* or monopole
2. Flexible dipole (in a wall or rafter area)
3. Horizontal surface monopole (up or down)
4. Mast or conduit mount
5. Electrical box monopole inverse ceiling mount
6. Electrical box wall mount dipole\* or monopole (Single or double gang)

\*Dipole antenna configuration recommended for bet range/coverage. Should be oriented vertically for best results. Not weather proof or wind resistant. All of this and other information is available at [www.ListenTech.com](http://www.ListenTech.com)

**Listen Technologies Corporation**  
 8535 South 700 West, Suite A  
 Sandy, UT 84070-2515 U.S.A.  
 Phone: 1.801.233.8992 or 1.800.330.0891  
 Fax: 1.801.233.8995  
 Email: [info@ListenTech.com](mailto:info@ListenTech.com)

Don't miss a single sound.



# Stationary Unit Antennas

# Listen®

www.ListenTech.com

## Helical ¼ Wave Antenna

**Part Number:** LA-101 (72 MHz)

- Easy to install
- Mounts through top of LT-800
- Low profile clearance
- Doesn't provide as good of coverage as a telescoping or remote base antenna
- Use with Listen's LT-800-072 Transmitter



Shown installed on the LT-800

**Specifications:** **Frequency:** 72 MHz **Length:** 9.0 in. (23.0 cm)  
**Diameter:** 0.25 in. (1.3 cm) **Weight:** 6 oz. (170 g) **Shipping Weight:** 6 oz. (170 g)

## Telescoping ¼ Wave Antenna

**Part Number:** LA-102 (216 MHz) or LA-106 (72 MHz)

- Mounts through top of LT-800
- Better coverage than helical antenna
- Requires 40 in. (1.0 m) clearance for 72 MHz and 14 in. (35.6 cm) for 216 MHz



Shown installed on the LT-800

**Specifications:** **Frequency:** 72 MHz (LA-102) and 216 MHz (LA-106).  
**Length:** 40 in. (1 m) **Diameter:** 0.25 in. (6.4 mm) **Weight:** 10 oz. (284 g) **Shipping Weight:** 10 oz. (284 g)

## 90 Degree Helical ¼ Wave Antenna

**Part Number:** LA-123 (72 MHz) or LA-124 (216 MHz)

- Easy to install
- Rear mounts directly on Listen's LT-800 Stationary Transmitter LR-100 Stationary Receiver / Power Amplifier or LR-600 Wireless Speaker / Receiver
- Can be used as a remote antenna



Shown installed on the LR-600

**LA-123 Specifications:** **Frequency range:** 72.0 - 76.0 MHz  
**Center Frequency:** 73.5 MHz  
**Length:** 9.2 in. (23 cm)  
**Connector Orientation:** 50 ohm BNC 90 degree vertical

**LA-124 Specifications:** **Frequency range:** 216.0 - 217.0 MHz  
**Center Frequency:** 216.5 MHz  
**Length:** 5.0 in. (12.7 cm) **Connector Orientation:** 50 ohm BNC 90 degree vertical

\*should be oriented vertically for best results

## Flexible Dipole Antenna

**Part Number:** LA-116 (72 MHz) or LA-117 (216 MHz)

- Easy to install
- Flexible coaxial cable antenna
- Can be mounted on a wall, placed in a drop ceiling, or anywhere else it is needed.



**LA-116 Specifications:** **Frequency range:** 72.025 - 75.975 MHz. **Center Frequency:** 73.5 MHz **Length:** 76 in. (193 cm)  
**Connector:** Standard BNC **Gain:** Unity **Coax:** RG-58

**LA-117 Specifications:** **Frequency range:** 216.0125 - 216.9875 MHz. **Center Frequency:** 216.5 MHz  
**Length:** 24 in. (61 cm) **Connector:** Standard BNC **Gain:** Unity **Coax:** RG-58

Don't miss a single sound.

Listen Technologies Corporation  
8535 South 700 West, Suite A  
Sandy, UT 84070-2515 U.S.A.

Phone: 1.801.233.8992 or 1.800.330.0891  
Fax: 1.801.233.8995  
Email: info@ListenTech.com

# Stationary Unit Antennas

# Listen®

www.ListenTech.com

## Antenna Kit for LA-326 Rack Mount Kit

**Part Number:** LA-125 (72 MHz) or LA-126 (216 MHz)

- Adapts LA-326 to become an antenna rack mount.
- Includes 90 Degree Helical Antenna (LA-123 or LA-124).
- You must order the LA-326 Rack Mount Kit separately, or you can use the kit to build your own antenna.



## Ground Plane Antenna

**Part Number:** LA-107 (216 MHz)

- Totally weather proof and can withstand high winds
- ¼ wave antenna designed for outside mast or conduit mounting
- Use with Listen's LT-800-216, LR-100-216 or LR-600-216

**Description:** Includes bracket for remote mounting, 50 ft. (15.2 m) RG-58, 50 ohm coaxial cable (LA-112)

**Specifications:** **Frequency:** 216 MHz **Length:** 17.5 in. (44.5 cm)  
**Diameter:** 30 in. (76 cm) **Weight:** 16 oz. (454 g)  
**Shipping Weight:** 16 oz. (454 g)

**Accessories:** LA-108 Reverse BNC Male Connector for RG-58 Coaxial Cable, LA-112 RG-58 Coaxial Cable, LA-113 RG-8 Low Loss Coaxial Cable, LA-121 BNC Connector Adapter, LA-127 for RG-58 Coaxial Cable, BNC Connector for RG-8 Coaxial Cable, LA-128 BNC Connector for RG8 Coaxial Cable



All Listen REMOTE ANTENNAS use standard BNC connectors. Please note that per FCC rules, the LT-800-072 RF Connector must be a non-standard connector. Since ALL REMOTE ANTENNAS (including 72 MHz) have now been converted to standard BNC connectors, we are now providing an adapter at no charge that converts the reverse BNC of the LT-800-072 to standard BNC with each transmitter.

Don't miss a single sound.

Listen Technologies Corporation  
8535 South 700 West, Suite A  
Sandy, UT 84070-2515 U.S.A.

Phone: 1.801.233.8992 or 1.800.330.0891  
Fax: 1.801.233.8995  
Email: info@ListenTech.com