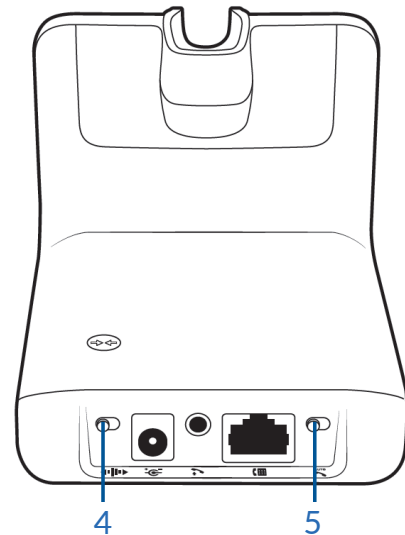
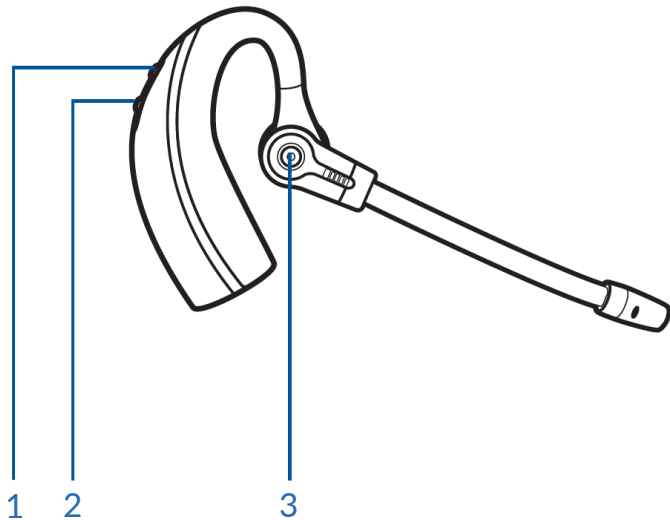


Quick User Guide

plantronics®

Plantronics CS530

Wireless Headset System



- 1 Increase volume button (tap)
- 2 Decrease volume (tap)
Mute (press and hold 1.5 sec)
- 3 Answer/end call button (tap)
- 4 Narrowband/wideband audio switch
Black Narrowband Audio
Yellow Wideband Audio (deskphone must be capable of wideband audio)
- 5 Auto answer switch
Black (off) Tap call control button to place or answer call
Grey (on) Lift headset from base to place or answer call

NEED SUPPORT?

800.641.6416 or
CHAT ONLINE

 **unified**
communications™
.com