

# Quick Start Guide

## UNO Media (68 Series)



move forward

## Thanks for purchasing a Bittel UNO Media!

We've designed UNO to be easy to use, and easy to set up. Follow the instructions in this guide to get your UNO product in service as fast as possible.

### Some of UNO's great features:

#### Telephone

- Up to ten (10) programmable speed dial keys that can be programmed by one of Bittel's optional master speed dial cloners.
- An easy-to-install faceplate, for displaying hotel information, dialing instructions, etc.
- Message waiting compatibility with all major hospitality PBXs
- Hearing aid compatible handset
- ADA-compliant speaker and handset volume control
- Adjustable ringer volume, with separate volume settings for each line (two-line models)
- Busy signal auto-disconnect
- Last number redial, with auto-deletion of last number dialed after five (5) minutes
- Hands-free speakerphone
- Conference (two-line models)

#### Clock/Radio

- Integrated audio interface for connection to portable mp3 players
- FM tuner with scan
- Alarm clock with snooze
- Premium audio performance
- High visibility multi-function display with dimming control

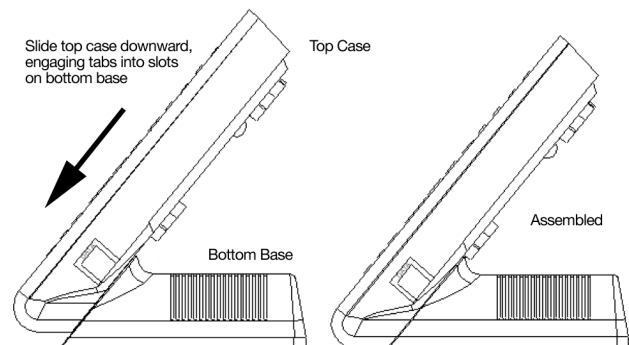
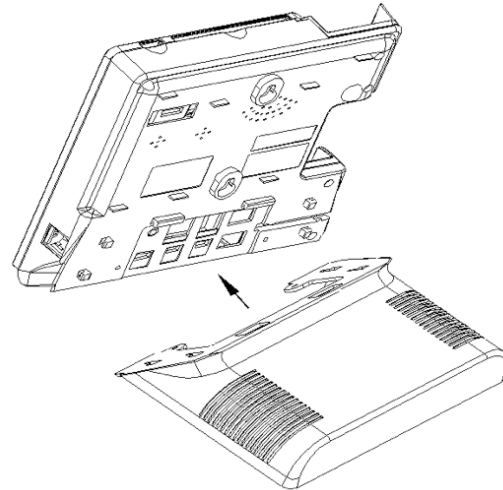
- Dual USB ports for convenient charging of handheld devices
- Auto time sync with remote handheld controller
- Auto daylight savings time adjust

## UNPACKING AND INSTALLATION

### Connecting the Two Cases

When you first unpack your UNO, the two cases need to be assembled, and the connecting cable between the cases connected.

1. Find the tabs in the upright case, and the corresponding holes in the bottom base, and align them.
2. Insert tabs of upright case into holes on bottom base, and press the two cases together.
3. Slide the bottom base upward until the tabs in the upright case fully engage the holes in the base. You should feel the two cases "snap" or lock together.



## Insert the Connecting Cable

1. Locate the multi-conductor connecting cable on the underside of the UNO. Taking care to align the connector correctly, insert the connector into the corresponding jack on the base unit securely.

## Connect the Handset Cord

1. Plug one end of the coiled handset cord into the jack on the handset.
2. Plug the other end of the handset cord into the jack marked **HANDSET** on the underside of the UNO.
3. Insert the cable into the channel on the underside of the UNO so the cable emerges out the side of the unit.

## Connect the Line Cord

1. Plug one end of the supplied line cord into a wall-mounted telephone jack.
2. Plug the other end of line cord into the jack labeled **LINE** on the underside of the UNO.

3. Insert the cable into the channel on the underside of the UNO so the cable emerges out the back of the unit.

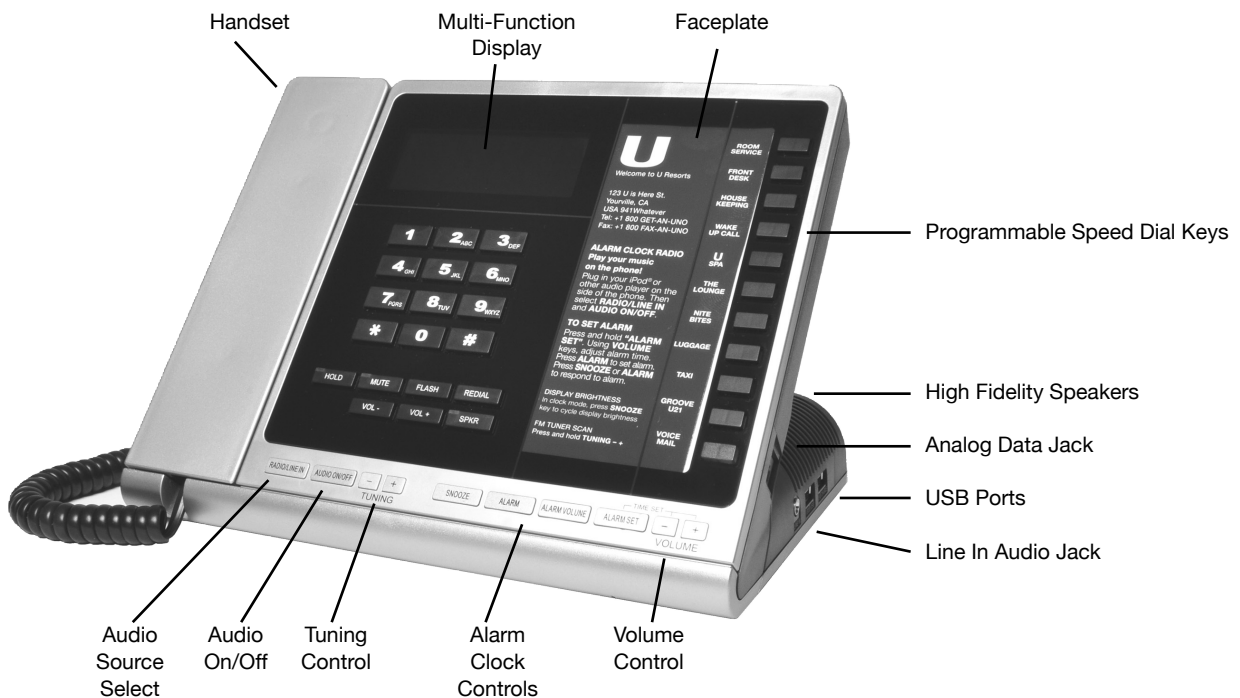
## Connect the Power Adapter

1. Plug the power adapter in an unswitched electrical outlet.
2. Plug the other end of the power adapter cable into the jack marked **POWER** on the underside of the UNO.

## USING YOUR UNO

### To Place a Call

1. Pick up the handset, or press **SPEAKER**, and dial a number on the dial pad, or
2. Pick up the handset, or press **SPEAKER**, and press the desired speed dial keys on the right hand side of the UNO.



## Programming the Speed Dial Keys

To program the speed dial keys, follow these steps below.

**NOTE:** Make sure that the phone is in an “on-hook” state (not active, with handset in the cradle, and speakerphone not engaged).

1. Press the HOLD key.
2. Enter the phone number or dial string to be saved to memory.
4. Press the HOLD key again.
2. Press the speed dial key to be programmed.

This completes the programming procedure for this key. To program additional speed dial keys, repeat the procedure as above.

## Programming the Flash Duration

**CAUTION:** Do not make changes to Flash duration unless you are certain that this is required. Only change Flash duration if required for proper PBX interaction with UNO.

Standard Flash duration is 600 ms.

1. Press the HOLD key.
2. Depending on the desired Flash duration, press the corresponding key as referenced here:

1 – 100 ms	7 – 700 ms
2 – 200 ms	8 – 800 ms
3 – 300 ms	9 – 900 ms
4 – 400 ms	0 – 1000 ms
5 – 500 ms	* – 1100 ms
6 – 600 ms	# – 1200 ms

(In other words, pressing the “3” key will program the Flash for a 300 ms duration, etc.)

3. Press the HOLD key.
4. Press the FLASH key.

Flash is now programmed to the duration selected.

## ALARM CLOCK/RADIO FUNCTIONS

Bittel UNO Media features an easy-to-use alarm clock radio, with an FM tuner and line-in audio interface to enable the enjoyment of music on personal portable electronics, such as iPod®s and other similar mp3 players, cell phones, or other devices. The information in this section will guide you through the use and setup of some of the audio features of your Bittel UNO Media.

### Setting the Clock

If you are plugging your UNO in for the first time, the clock may need to be set.

To set the clock:

1. With the audio off, press the VOLUME - key for one second and release. The hour digit(s) will begin to flash.
2. Press the TUNING + or - keys to adjust the hour.
3. Press the VOLUME - key again. The minutes digit(s) will begin to flash.
4. Press the TUNING + or - keys to adjust the minutes.
5. Press the VOLUME - key again to end the operation.

Press the VOLUME + key to toggle 12-hour or 24-hour time format.

**NOTE:** You may also set the time on your UNO using an optional time-set remote control. The use of this device is covered later in this guide.

### Setting the Alarm

1. Press the ALARM SET key. The hour digit(s) will begin to flash.
2. Press VOLUME + or - to adjust the hour.
3. Press the ALARM SET key. The minutes digit(s) will begin to flash.
4. Press VOLUME + or - to adjust the minutes.
5. Press the ALARM SET key again to end the operation. The alarm is now set.

Press the ALARM key to turn the alarm on. An indicator in the display will illuminate, confirming that the alarm is set.

To turn the alarm off, press the ALARM key again.

When an alarm sounds, pressing the ALARM key will turn the alarm off. You may also use the Snooze feature.

### **Using Any-Key Snooze**

With an alarm sounding, press the SNOOZE key to stop the alarm for ten minutes. After ten minutes, the alarm will sound again.

In addition to pressing the SNOOZE key, if any other key in the alarm clock/radio section of the UNO is pressed (with the exception of ALARM VOLUME) the SNOOZE function will be activated the same as if the SNOOZE key were pressed.

Picking up the handset while an alarm is sounding will also engage the SNOOZE function.

### **Adjusting Alarm Volume**

With all audio off, press ALARM VOLUME to adjust the alarm volume.

### **Adjusting Display Brightness**

With an alarm not sounding, press the SNOOZE key to adjust the display brightness. There are three (3) levels of display brightness.

### **Using the FM Tuner**

1. Press the AUDIO ON/OFF key.
2. Press RADIO/LINE IN so that the "FM tuner" indicator is illuminated in the display.
3. Press TUNING + and - keys to tune to a radio station. To use the SEEK function, press and hold either the TUNING + or - keys until the tuner begins to seek stations. When a station is found, the radio will stop on that station until a TUNING key is pressed again.
4. Adjust volume levels by pressing the VOLUME + and - keys.

### **Using the Line In Input**

UNO can be used to listen to music on a portable personal device, such as an iPod®, iPhone®, mobile phone or other portable device.

Using either a supplied cable or user's own cable, plug cable into jack labelled "Line In" on the side of the UNO. For charging purposes, one of the dual USB ports can also be used to charge the portable device.

To listen to audio:

1. Press the AUDIO ON/OFF key.
2. Press RADIO/LINE IN so that the "Line" indicator is illuminated in the display.
3. Play music or other content on the attached portable device.
4. Adjust volume levels by pressing the VOLUME + and - keys.

**NOTE:** When using the Line In jack, if the audio sounds distorted at all volume levels, decrease the output volume on the device connected to the Line In jack until audio is satisfactory.

## REQUIREMENTS OF PART 68 FCC RULES

This equipment complies with Part 68 of the FCC Rules and the requirements adopted by ACTA. On the bottom of this telephone is a label that contains, among other information, a product identifier in the format US:AAAEQ##TXXXX. If requested, this number must be provided to the telephone company. The USOC Jack for this equipment is RJ11C.

A plug and jack used to connect this equipment to the premises wiring and telephone network must comply with the applicable FCC Part 68 rules and requirements adopted by ACTA. A compliant telephone cord and modular plug are provided with this telephone. It is designed to be connected to a compatible modular jack that is also compliant. See installation instructions for details.

The Ringer Equivalence Number (REN) is used to determine the number of devices that may be connected to a telephone line. Excessive RENs on a telephone line may result in the devices not ringing in response to an incoming call. In most but not all areas, the sum of RENs should not exceed five (5.0). To be certain of the number of devices that may be connected to a line, as determined by the total RENs, contact the local telephone company. For products approved after July 23, 2001, the REN for this product is a part of the product identifier that has the format US:AAAEQ##TXXXX. The digits represented by ## are the REN without a decimal point (e.g., 03 is a REN of 0.3). For earlier products, the REN is separately shown on the label.

If this telephone causes harm to the telephone network, the telephone company will notify you in advance that temporary discontinuance of service may be required. But if advance notice is not practical, the telephone company will notify the customer as soon as possible. Also, you will be advised of your right to file a complaint with the FCC if you believe it is necessary.

The telephone company may make changes in its facilities, equipment, operations or procedures that could affect the operation of the equipment. If this happens, the telephone company will provide advance notice in order for you to make the necessary modifications to maintain uninterrupted service. If trouble is experienced with this equipment, for repair or warranty information, please contact Bittel at (408) 972-1111. If the equipment is causing harm to the telephone network, the telephone company may request that you disconnect the equipment until the problem is resolved. There are no user serviceable parts contained in this equipment. Connection to party line service is subject to state tariffs. Contact the state public utility commission, public service commission or corporation commission for information.

This telephone is hearing aid compatible.

Numbers of all the devices does not exceed 5.  
REN: Z

## INDUSTRY OF CANADA REQUIREMENTS

NOTICE: This equipment meets the applicable Industry Canada Terminal Equipment Technical Specifications. This is confirmed by the registration number. The abbreviation, IC, before the registration number signifies that registration was performed based on a Declaration of Conformity indicating that Industry Canada technical specifications were met. It does not imply that Industry Canada approved the equipment. Before installing this equipment, users should ensure that it is permissible to be connected to the facilities of the local telecommunications company. The equipment must also be installed using an acceptable method of connection. The customer should be aware that compliance with the above conditions may not prevent degradation of service in some situations.

Repairs to certified equipment should be coordinated by a representative designated by the supplier. Any repairs or alterations made by a user to this equipment, or equipment malfunctions, may give the telephone communications company cause to request the user to disconnect the equipment. Users should ensure for their own protection, that the electrical ground connections of the power utility, telephone lines and internal metallic water pipe system, if present, are connected together. This precaution may be particularly important in rural areas.

CAUTION: Users should not attempt to make such connections themselves, but should contact the appropriate electric inspection authority, or electrician, as appropriate.

NOTICE: The Ringer Equivalence Number (REN) assigned to each terminal device provides an indication of the maximum number of terminals allowed to be connected to a telephone interface. The termination on an interface may consist of any combination of devices subject only to the requirement that the sum of the Ringer Equivalence.

## WARRANTY AND RMA INFORMATION

This unit is covered by a one-year warranty from the date of purchase. For complete warranty information, and to complete a product return for repair or replacement, please visit [www.bittelamericas.com](http://www.bittelamericas.com).

## CONTACTING BITTEL AMERICAS

To contact Bittel Americas directly:

Telephone: 1-408-972-1111

Fax: 1-408-972-1115

email: [support@bittelamericas.com](mailto:support@bittelamericas.com)

Web: [www.bittelamericas.com](http://www.bittelamericas.com)

Address: 188 Martinvale Lane  
San Jose, CA 95119  
USA