



VIDEO FURNITURE INTERNATIONAL

Furniture Designs That Communicate.

Package F PM-DSH with PM-S-FL



Package F = PM-DSH with PM-S-FL

Package F, comprised of the PM-S-FL stand and the PM-DSH desktop surface and handles are an ideal combination when mobility is required. This pair perfectly lends itself to most educational teaching, business, military, courtroom and corporate training environments.

PM-S-FL accommodates 32" and up flatscreens. It features an adjustable camera/codec shelf and a six position front shelf ideal for electronics. Mobility is provided by four heavy duty 5" metal casters with non marking tires. Front casters are locking.

PM-DSH features side handles and a large work surface ideal for Laptops, keyboard/mouse.

Standard Features Include:

PM-DSH (Desk Surface with Handles)

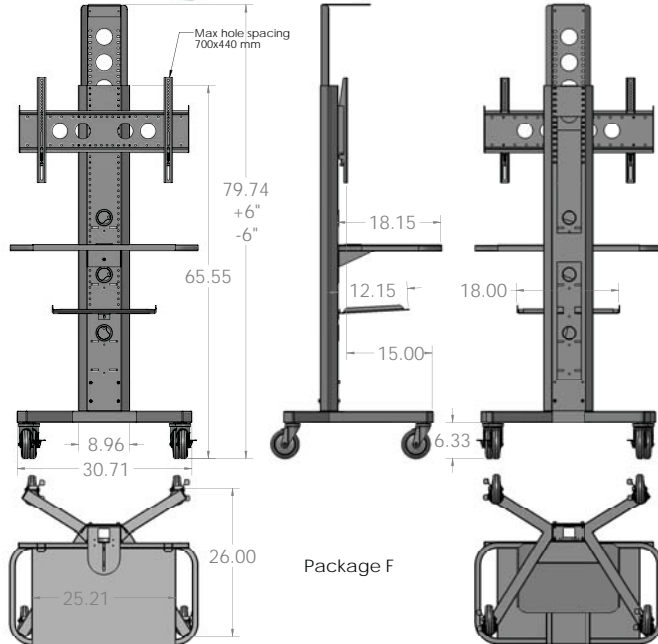
- Heavy duty construction powder coated black.
- Work surface of 25 1/4" w X 18" d
- Rear wiring grommets.
- Built in handles for easy maneuvering.

PM-S-FL (Mobile Stand)

- Sturdy 11 ga steel, Powder coated texture black.
- Wiring channel inside main pillar.
- Adjustable TV and Camera height during setup.
- Accomodates 32" and larger TV's ,some up to 52". (Max mount spacing 700mm x 440mm)
- includes one shelf 18" w X 11 1/2" deep

Options

- PM-CMP, PM-PB, SH-PM, LCD1222, LB3 Lockbox
 - PM-HDCB, PM-HD-EXP, BKT-KIT, PM-CAM, FEET
- See website for complete list and descriptions of options.
www.video-furn.com



Specifications:

BLACK

Package	WIDTH	DEPTH	HEIGHT
F	TV	26"	74-86"

VFI can build or modify stock configurations to suit customer specifications. Please contact us to discuss how this service can help meet your needs. Some quantity restrictions may apply.

* Specification subject to change without notice.

* Computers, cameras, monitors, etc. are shown to illustrate product usage and are not included unless otherwise noted.

190 Don Hillock Drive . Aurora . Ontario . L4G 0G9

Tel: (905) 751-1459 Toll Free: (877) 834-3876 Fax: (905) 751-1488

sales@video-furn.com

www.video-furn.com